

Burns and Ferrall Locations

AUCKLAND
12 Reg Savory Place
East Tamaki, Auckland

0800 697 465

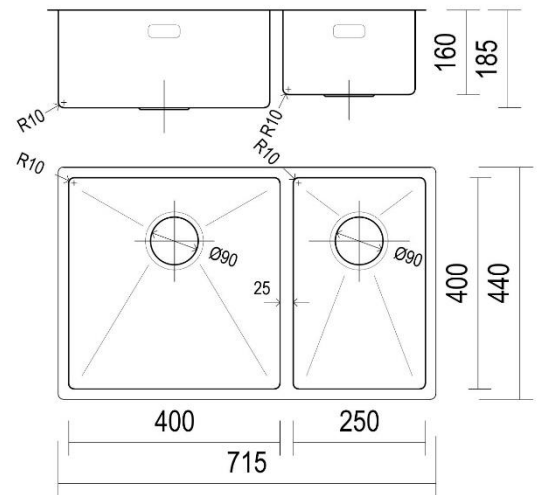
WELLINGTON
122-124 Tory Street
Te Aro

HAMILTON
60 Alexandra Street
Central

CHRISTCHURCH
345 St Asaph Street
Christchurch

Product Specification Sheet

BFD715R10 LH



Designer R10

B&F Designer R10 400/250 Double Bowl

Models	Corner Radius
14 BFD715R10LH 14 BFD715R10RH	10mm
Overall Dimensions W x D	Waste
715 x 440mm	90mm
Bowl Dimensions W x D x H	Installation
400 x 400 x 200mm	Top / Flush / Undermount
2nd Bowl Dimensions: W x D x H	Minimum Cabinet Size
250 x 400 x 160mm	795mm

Material & Finish

1.2mm 304 Stainless Steel,
Silky Sheen

Accessories Available (optional)



E&OE – it is recommended all measurements are taken directly from the product. Specification subject to change without notice, always consult the literature supplied with the product. Coloured images are indicative only.